



GE
Lighting



T8 Polylux XLR™ - G13 Cap
FT8/36W/830/GE/SL1/25

62553

Product information

Polylux XLR™ lamps should be the natural choice for all fluorescent lighting applications. The excellent colour reproduction flatters skin tones making people appear more natural, and makes merchandise appear more vibrant and colourful.

Product data

Cap/Base	G13
Bulb Shape	Tubular
Bulb Diameter [mm]	26
Bulb maximum overall diameter [mm]	26
Dimming Capability	Yes
DUN Code	10043168625538
EAN Code	0043168375559
Net weight per piece [g]	185
Gross weight per piece [g]	214
Mercury Content [mg]	2.9
UV radiance	Exempt
Brand	General Electric (GE)

Performance data

Nominal power [W]	36
Lumen at 25°C	3350
Nominal lumens [lm]	3350
Rated efficacy [lm/W]	93
Colour temperature [K]	3000
Colour Rendering Index (CRI) [Ra]	85
Colour Code	830
Rated Life [h]	15000
Rated median life on electromagnetic (EM) ballast on IEC 12-hour cycle	18000
Rated median life on electronic (HF) ballast on IEC 12-hour cycle	23000
Rated median life on electronic (HF) ballast on IEC 3-hour cycle	20000
Cap to Cap Length (Max) [mm]	1199.4
Design Ambient Temperature [°C]	25
Design Lamp ambient temperature [°C]	25
Starting ambient temperature range	-15
Energy efficiency class (EEC)	A
Weighted energy consumption [kWh/1000h]	42.37

Logistic data

Pack Quantity	25
Inner pack type	SLEEVE
Outer pack type	OUTER BOX
Layer quantity	125 EUR, 150 UK
Layer quantity EUR	125
Layer quantity UK	150
Pallet quantity EUR (PC)	750
Pallet quantity UK (PC)	900
Outer case size	1230 x 150 x 145 (mm)
Product status	Available while stock lasts

Application areas



Retail



Office

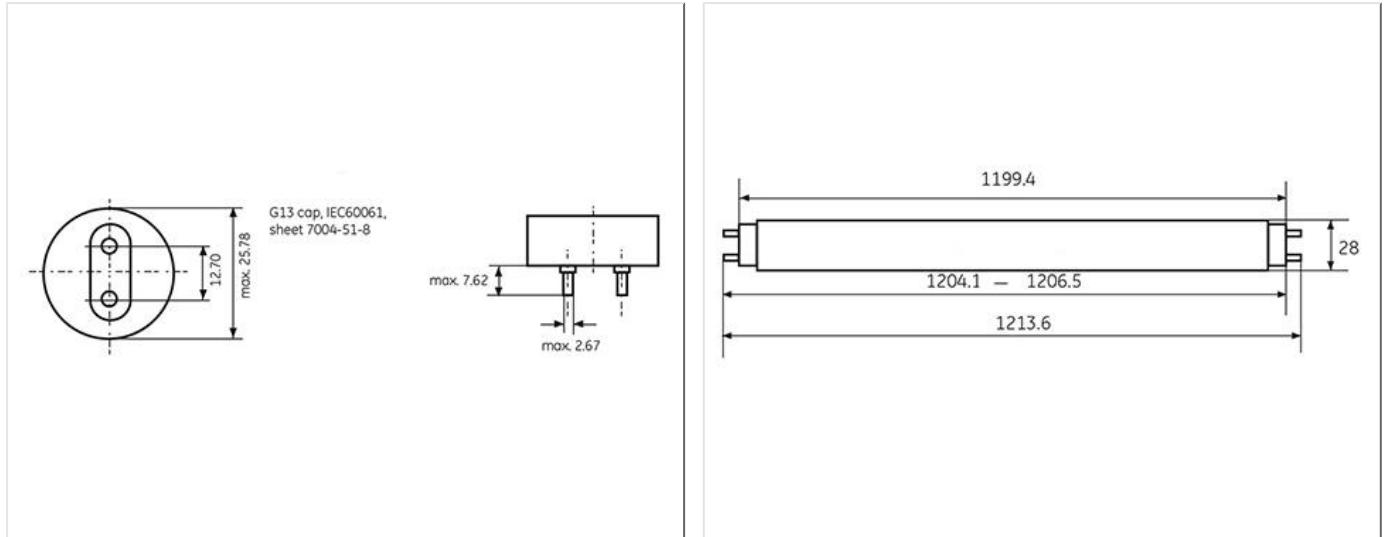


Education

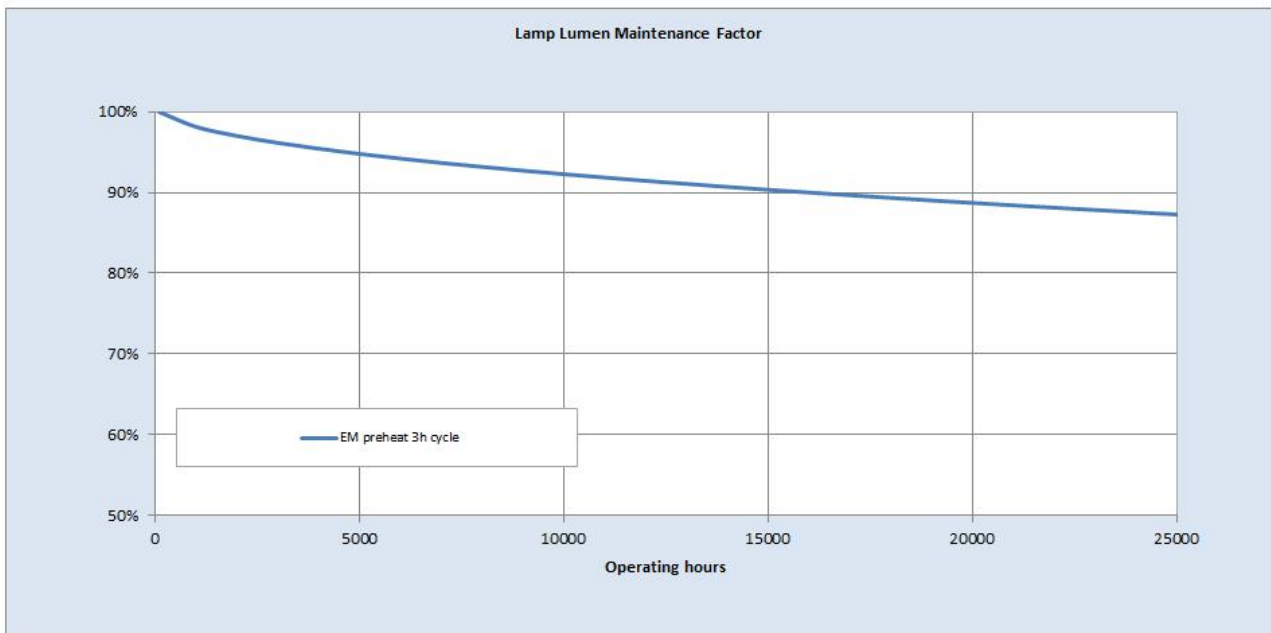


Industrial

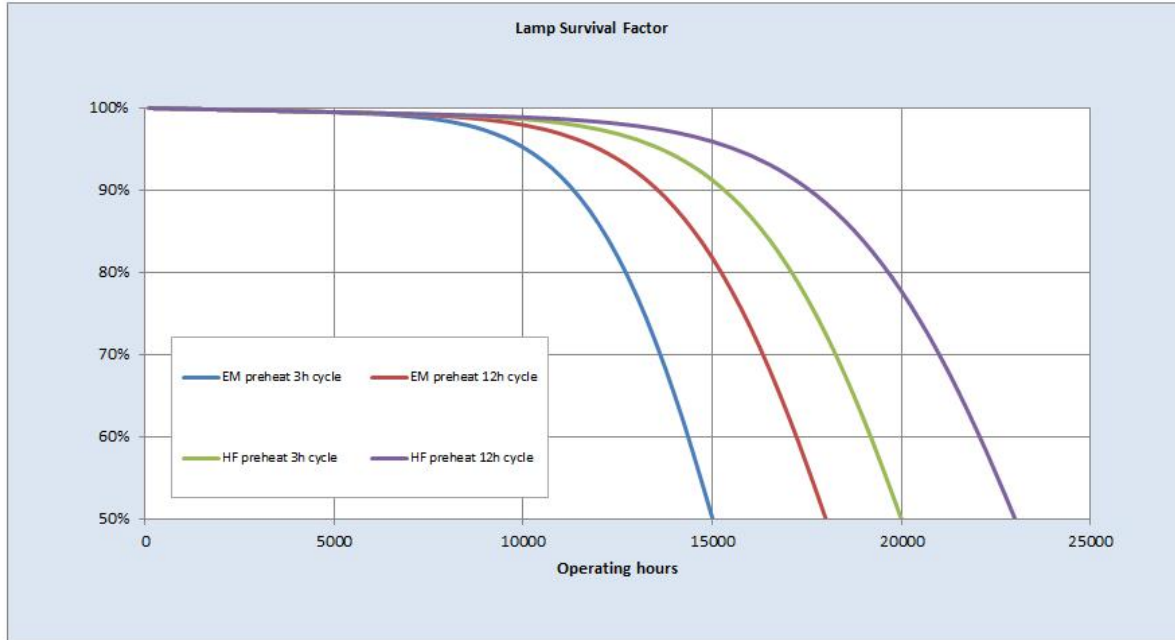
Technical drawing



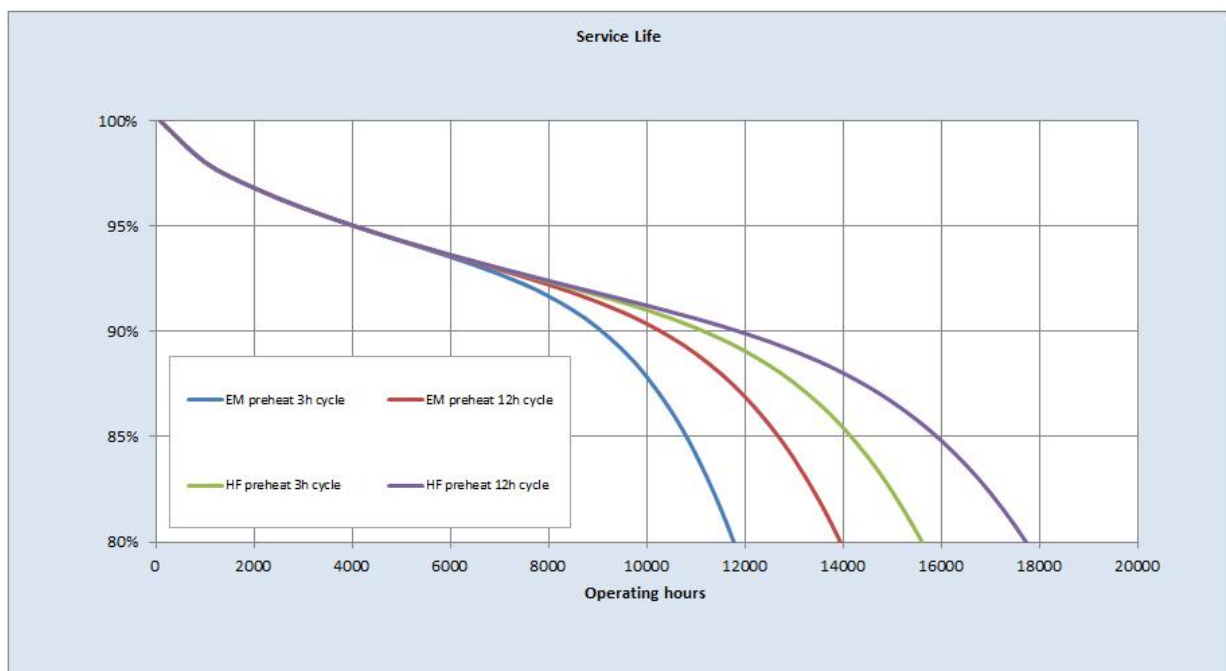
Lumen maintenance data



Survival Data



Service life data



Downloads & Links

[Go to the catalog site \(HTTP\)](#)

[Linear Fluorescent Lamps Catalogue \(PDF\)](#)

[Lighting design tools & calculators \(HTTP\)](#)